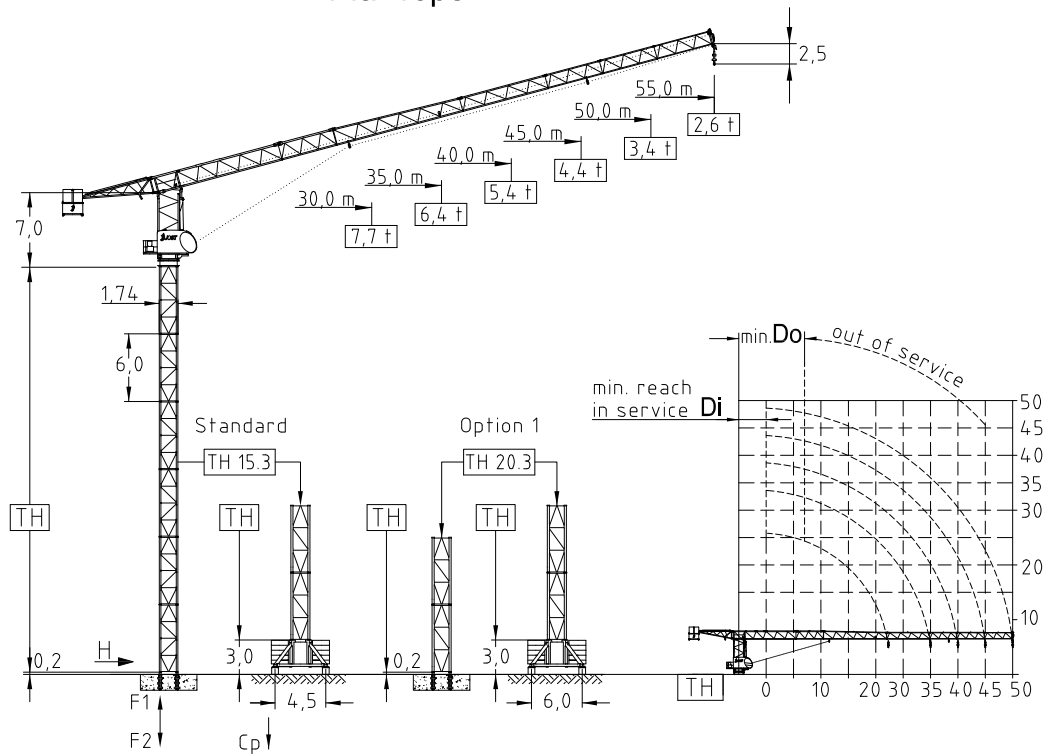


JTL 208.12 - 12,0 ton

Tower TH 15.3 4-fall rope

Topless
Luffing crane



Jib (m)	Jib reach (m)		Tower heights all data in (m)			
			Standard Tower		Option 1	
			Foundat.	Chassis	Foundat.	Chassis
	Di	Do	TH 15.3	UC 4,5-15.3	TH 20.3	UC 6,0-20.3
30,0	5,0	13,0	48,0	36,0	54,0	42,0
35,0	5,0	13,0	45,0	33,0	51,0	39,0
40,0	5,0	11,0	42,0	30,0	48,0	36,0
45,0	5,0	11,0	39,0	27,0	45,0	33,0
50,0	5,0	11,0	36,0	24,0	42,0	30,0
55,0	5,0	11,0	33,0	21,0	39,0	30,0

EN 14439 : 2008
WIND C 25
ISO 9001 : 2008



Jib		max. Load		Jib reach									
m	rope	t	m	20	23	25	30	35	40	45	50	55	
55,0		6,0	25,0	6,00	6,00	6,00	4,97	4,22	3,66	3,23	2,88	2,60	
		12,0	-	-	-	-	-	-	-	-	-	-	
50,0		6,0	29,2	6,00	6,00	6,00	5,28	4,69	4,31	3,80	3,40	-	
		12,0	-	-	-	-	-	-	-	-	-	-	
45,0		6,0	34,8	6,00	6,00	6,00	6,00	5,98	5,20	4,40	-	-	
		12,0	17,5	10,43	9,02	8,26	6,81	5,78	5,00	4,20	-	-	
40,0		6,0	37,3	6,00	6,00	6,00	6,00	6,00	5,40	-	-	-	
		12,0	18,8	11,22	9,70	8,90	7,34	6,23	5,20	-	-	-	
35,0		6,0	35,0	6,00	6,00	6,00	6,00	6,00	-	-	-	-	
		12,0	19,3	11,52	9,96	9,13	7,54	6,40	-	-	-	-	
30,0		6,0	30,0	6,00	6,00	6,00	6,00	-	-	-	-	-	
		12,0	19,7	11,76	10,17	9,33	7,70	-	-	-	-	-	

Hoist 37,0 kW FI							
l	t	1,4	1,8	2,8	4,6	5,8	6,0
	m/min	92	84	68	50	42	24
l	t	2,8	3,6	5,6	9,2	11,2	12,0
	m/min	46	42	34	25	21	12
Drum capacity				820,0 m			

Hoist 45,0 kW FI							
l	t	1,5	2,0	3,6	4,8	5,6	6,0
	m/min	110	102	82	62	52	30
l	t	3,0	4,0	7,2	9,6	11,2	12,0
	m/min	55	51	41	31	26	15
Drum capacity				860,0 m			

Power requirement
400V (±10%) - 50Hz

Motor	18,5 kW FI	2 x 3,0 kW	2 x 5,0 kW
t/v	2,00 min	0,67 rpm	25,0 m/min
Power requirement		Hoist 37,0 kW	90 kVA
Upper part		Hoist 45,0 kW	100 kVA

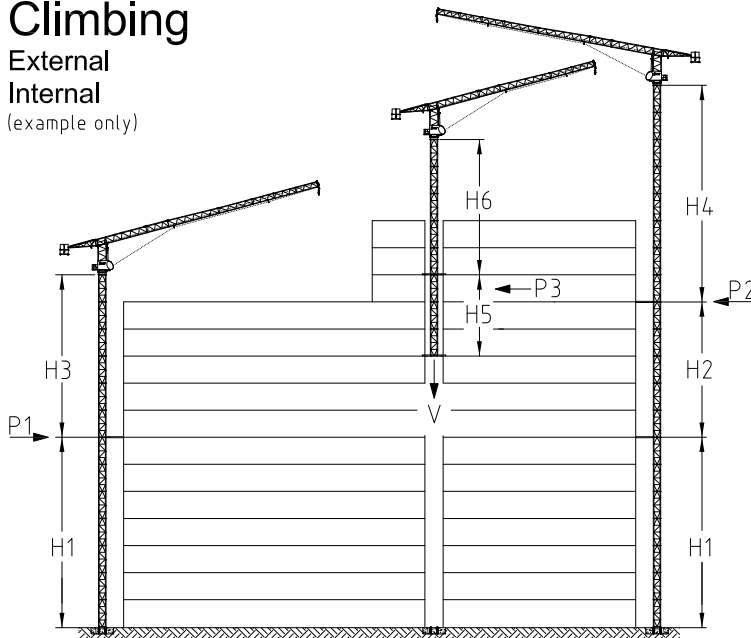
Shipping		
	Truck	Cont.
Top crane	6	7
Tower 2 unit	1	1
Climbing	1	1
Chasis	1	1

Counter weight	
Block 1	1 x 6,0 t
Block 2	3 x 5,5 t
Block 3	2 x 1,7 t
Total	25,9 t

Ropes		
	D (mm)	N/mm ²
Hoist	14,0	1960

Climbing

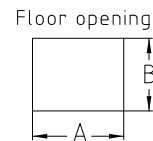
External
Internal
(example only)



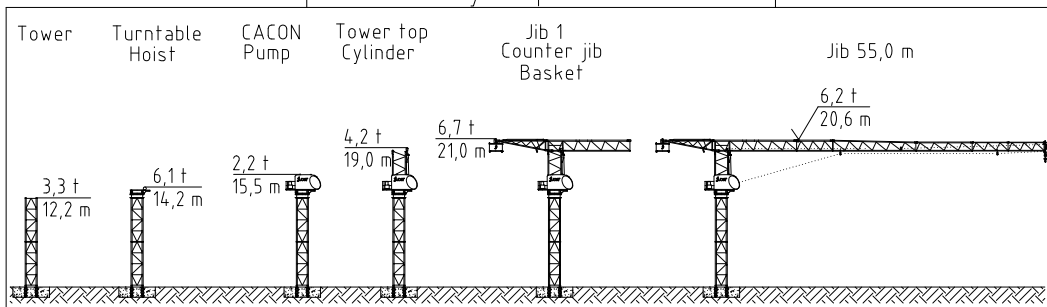
	m	in service	out of service
		t	t
H1	27,0		
H2	18,0		
H3	24,0		
H4	24,0		
H5	14,0		
H6	18,0		
A	2,40		
B	1,90		
P1		122,9	313,6
P2		163,4	313,7
P3		247,0	388,4
V		858,8	708,8

All data with TH 15.3

Jib length 30,0 m



Assembly sequence TH 15.3



Crane on foundation plate

Tower TH 15.3							
Jib length (m)	Tower height (m)	No. of Towers	Foundation loadings			Corner forces	
			M (kNm)	V (kN)	H (kN)	F1 (kN)	F2 (kN)
55,0	33,0	5,5	5731,0	697,5	145,4	2237,0	- 2584,0
50,0	36,0	6,0	5866,0	709,5	146,4	2274,0	- 2628,0
45,0	39,0	6,5	5991,0	724,9	147,2	2314,0	- 2676,0
40,0	42,0	7,0	6029,0	735,9	145,8	2253,0	- 2620,0
35,0	45,0	7,5	6345,0	712,9	155,0	2428,0	- 2784,0
30,0	48,0	8,0	6595,0	721,9	156,0	2434,0	- 2795,0

Crane on chassis

Tower TH 15.3 / 4,5 m							
Jib length (m)	Tower height incl. chassis (m)	No. of Towers	in service		out of service		Ballast (t)
			Cp (kN)	H (kN)	Cp (kN)	H (kN)	
55,0	21,0	3,5	847,0	41,0	1165,0	153,3	75,0
50,0	24,0	4,0	899,0	39,9	1182,0	154,6	85,0
45,0	27,0	4,5	1184,0	47,2	1202,0	156,0	95,0
40,0	30,0	5,0	1190,0	45,9	1164,0	154,2	100,0
35,0	33,0	5,5	1260,0	45,5	1234,0	156,4	110,0
30,0	36,0	6,0	1216,0	45,1	1226,0	157,6	120,0

Part list

Part	L (m)	W (m)	H (m)	kg	Part	L (m)	W (m)	H (m)	kg
Jib 01	11,46	1,34	2,17	4110	Counter jib	7,51	1,18	2,01	1710
Jib 02	11,89	1,10	1,89	2200	Hoist unit & rope	1,73	1,71	1,17	1700
Jib 03	8,05	1,10	1,60	1160	Turn table+slew.unit	3,43	2,10	2,49	5370
Jib 04	5,21	1,10	1,56	640	Tower top	5,61	1,16	2,50	4120
Jib 05	5,20	1,10	1,55	500	CACON & hydraulic	4,80	1,61	2,60	2000
Jib 06	5,18	1,10	1,31	380	Ballast basket	1,80	2,81	1,98	730
Jib 07	5,15	1,10	1,27	350	Hook block	1,01	0,38	1,87	425
Jib 08	5,13	1,10	1,26	280	Jib end	1,86	1,18	2,35	235